

PRODUCT CATALOG

AIR-TO-AIR HEAT EXCHANGERS

HEATEX

THE AIR-TO-AIR HEAT TRANSFER SPECIALIST

OUR MISSION

"Heatex's mission is to make the world safer, healthier, and more productive through the development and supply of energy-saving products and solutions.

- We make good indoor air quality a net saving rather than a cost*
- We protect sensitive equipment critical in modern society*
- We help reduce overall energy consumption, including fossil fuels and protect our environment for future generations."*

/Frank Schmidt CEO





HEATEX

Heatex is a leading cleantech company that optimizes and develops energy-saving thermodynamic products and solutions that save cost and contribute to a sustainable future. Established in 1987, guided by our core values Excellence, Honesty, and Simplicity, Heatex has today become one of the top manufacturers of air-to-air heat exchangers in the world and a trusted partner to both global corporates and local champions.

Heatex is part of Madison Industries, one of the world's largest and most successful privately held companies. Madison builds entrepreneurially driven, branded market leaders committed to making the world safer, healthier, and more productive by creating innovative solutions that deliver outstanding customer value.

PRODUCTS & SOLUTIONS

Heatex specializes in air-to-air heat exchangers whose purpose is to: (a) make good indoor air quality a net saving rather than a cost; and (b) protect sensitive equipment from excessive temperatures by maximizing the heat transfer between air flows.

By maximizing the heat transfer between air flows, we recover otherwise wasted heat (energy), thereby financially reducing costs and environmentally cutting carbon emissions. We specialize in custom solutions that provide optimal energy recovery and fast return on investment no matter the application.

APPLICATIONS

Heatex heat exchangers are used in a variety of buildings, industries, and applications. The application determines which heat exchangers and/or systems provide the best solution.

AHU manufacturers use Heatex heat exchangers as key components in HVAC systems to transfer heat or control humidity between supply and exhaust airstreams (see Indoor Air Quality).

Air-to-air heat exchangers also enable reliable and energy-efficient cooling of heat-emitting processes such as sensitive electronics and generators (see Thermal Management).

INDOOR AIR QUALITY

COMMERCIAL & RESIDENTIAL VENTILATION

HVAC systems play a crucial role to maintain healthy and comfortable indoor air quality (IAQ) in almost all buildings. Research shows good IAQ substantially helps improve productivity in business, raise grades in schools, and minimize hazardous pathogens in the air. Most often, good IAQ is best realized through fresh air exchange as opposed to recirculation.

The challenge for real estate owners and landlords is providing a healthy and comfortable IAQ with as little energy input (=cost) as possible. With Heatex air-to-air heat exchangers, as much as 90% of the energy cost for tempering supply air can be saved and the return on investment is in many cases less than 12 months.



INDUSTRIAL VENTILATION

Many industrial processes generate large amounts of hot and humid air.

These processes have a great potential for energy/heat recovery and air pollution control, which can significantly reduce energy consumption (= cost) and environmental impact.

When large amounts of waste heat are generated, air-to-air heat exchangers are employed to recover the otherwise wasted heat and preheat the incoming process air—resulting in significantly reduced operating costs.

Heatex air-to-air heat exchangers are ideal for numerous industrial applications, including dehumidification and water removal, process heat or refrigeration recovery, and humidity transfer.

THERMAL MANAGEMENT

DATA CENTER COOLING

Thermal Management is a key factor in the cost and operation of data centers. Heatex heat exchangers, especially when coupled with evaporative cooling technology, provide an efficient, low cost and environmentally friendly alternative to remove excess heat from data center air.



WIND TURBINE COOLING

To ensure the life expectancy of the components inside the nacelle the heat generated by the process of energy conversion and solar radiation needs to dissipate. Heatex develops complete and customized air-to-air cooling systems for generator, nacelle and converter/ transformer cooling. All systems are suitable for both onshore and offshore applications.

ELECTRONIC COOLING

Electronic equipment constantly gets more sophisticated and sensitive. To function reliably, it needs to be protected from water, dust, and excess heat. Heatex develops complete closed-loop cooling systems based on air-to-air heat exchangers for a variety of enclosures and cabinets used in telecom, digital media, and solar applications. All systems are highly flexible and customizable.



AGRICULTURE VENTILATION

Greenhouse cultivation is an energy-intensive sector, energy consumption for indoor grow operations are many times higher than of typical office buildings. Almost 50% of the energy use stems from ventilation, cooling, and dehumidification. Air handling units equipped with an Heatex air-to-air heat exchanger can save 60% -70% of the energy required to control climate typical greenhouse grow facilities.



PLATE HEAT EXCHANGERS

Heatex offers a broad range of plate heat exchangers. All units are produced according to our standardized processes with our proprietary production equipment at our global facilities, ensuring uniform product quality and favorable lead times worldwide.

ADVANTAGES

- **HIGH EFFICIENCY**

With Heatex heat exchangers, up to 90% of the heat in the exhaust air is transferred to the supply air.

- **LONGEVITY**

No moving parts and strong aluminium plates in high standard alloy give the products a long lifetime and minimal need of service.

- **EASY MAINTENANCE**

The design allows for rapid and thorough cleaning and servicing.

- **FULLY CUSTOMISED**

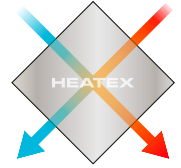
All of our products are carefully designed to meet the demands for each specific application application and minimize the investment relative to the energy recovery need.

- **WIDE RANGE OF OPTIONS**

We offer an extensive range of design options regarding materials, sizes and components to suit various application and performance requirements.

- **CLOSED LOOP AIR STREAMS**

Depending on the application requirements, Heatex plates enable closed-loop airstreams to protect both people and equipment.

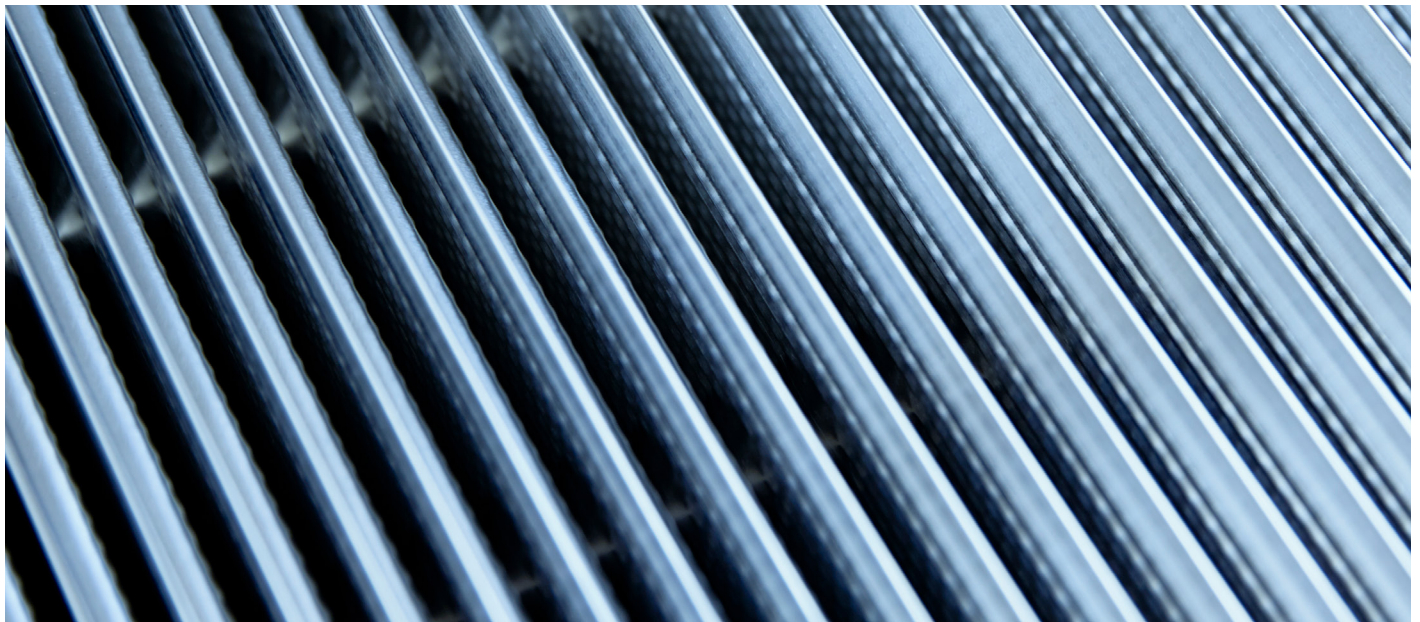


COMPARE MODELS

Every model has a clear advantage depending on the application. To determine which model suits your application, please use our comparison table below.

MODEL	H2	H	Z
Description	Outstanding efficiency for commercial ventilation and high performance cooling.	Particular low pressure drop for basic ventilation and cooling applications.	Exceptional durability and corrosion resistance for very tough applications.
Efficiency	Superior	High	High
Airflow capacity	Standard	High	Standard
Plate material	Aluminum/ epoxy	Aluminum/ epoxy	Stainless steel
Combined modules size	19.69" - 118.11" (500 - 3000 mm)	7.87" - 118.11" (200 - 3000 mm)	23.62", 47.24", 70.87" & 94.49" (600, 1200, 1800 & 2400 mm)
Max. differential pressure*	12.04" WC	7.23" WC	16.06" WC

*Depends on size and plate distance



CROSS FLOW HEAT EXCHANGER

MODEL H2

Outstanding Efficiency

Model H2 is our most efficient cross flow plate heat exchanger. It combines low-weight with high differential pressure resistance and is able to reach typical dry temperature efficiencies above 80%.

The efficiency is improved by its slim profiles and our superior efficiency plate design, creating high turbulence even at lower velocities while keeping pressure drop low.

Model H2's performance is certified according to AHRI.

Heatex cross flow plate heat exchangers meet several hygiene requirements.



TECHNICAL SPECIFICATIONS & OPTIONS

PLATE MATERIAL:

- Aluminum
- Epoxy coated aluminium

CORNER PROFILE:

- 90° Aluminium profile
- 45° Aluminium profile

END PLATE:

- Aluzinc
- Aluminum

SEALING:

- Silicone free (max. 190°F)
- Silicone (max. 390°F)
- High temperature silicone (max. 464°F)

MIN. ALLOWED TEMPERATURE:

- -40°F

MAX. LEAKAGE (IN %):

- 0.1% of nominal airflow with non-silicone at 1.60"
- 1% of nominal airflow for all models with silicone sealant

ADDITIONAL OPTIONS:

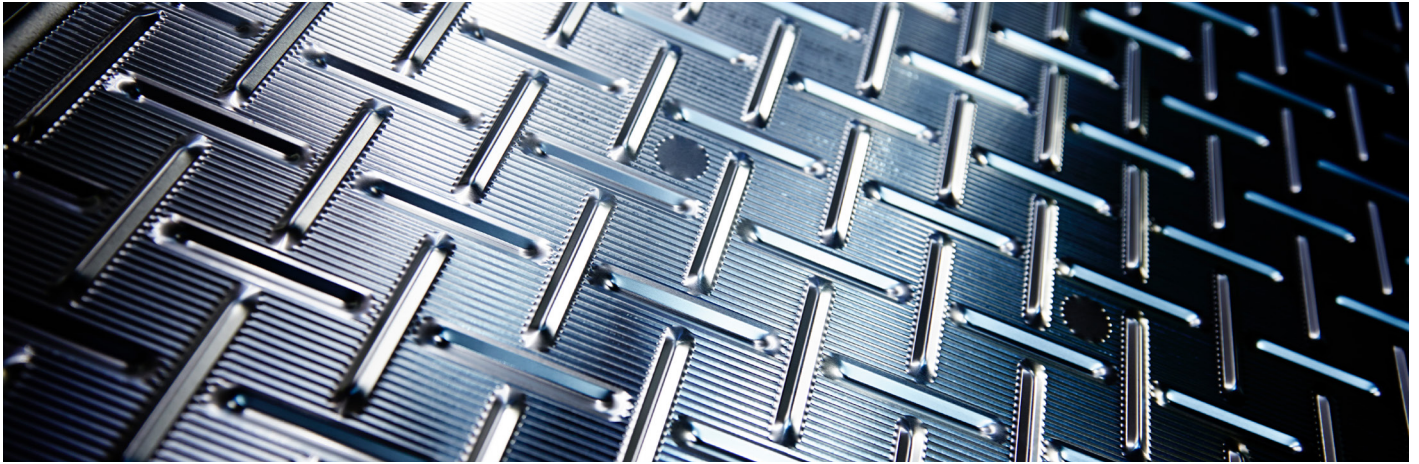
- Aquaseal tightness (max. 302°F)
- Laquered plate edges (max. 194°F)
- Corrosion protected framework (max. 194°F)
- Individual air tightness test + report
- Individual water tightness test + report
- ATEX testing (only available with aluminium plates)
- Heatex damper

MAX. ALLOWED DIFFERENTIAL PRESSURE:

- 7.23" WC - 12" WC, depending on plate spacing
> 12" WC for plate spacing above 0.16" WC

For Model H2 1200/2400:

- 6" WC - 7.23" WC for plate spacing 0.08" - 0.12"
> 12" WC for plate spacing above 0.16"



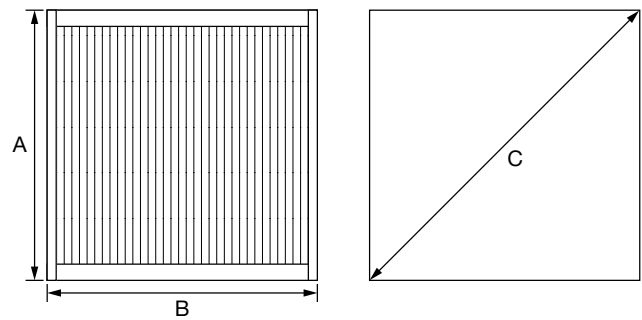
MODEL H2 DIMENSIONS

COMBINED MODULES SIZE:

- 19.69" - 118.1" (500 - 3000 mm)

PLATE SIZE:

- 19.69" - 500 mm
- 23.62" - 600 mm
- 27.56" - 700 mm
- 29.53" - 750 mm
- 33.46" - 850 mm
- 39.37" - 1000 mm
- 47.24" - 1200 mm



NOTE: Customized A-dimensions can to some extent be created with special corner profile designs.

MODEL	A	B*	C45**	C90***	PLATE DISTANCE
500	19.69	9.84-39.37	27.09	27.83	0.075 / 0.079 / 0.098 / 0.12 / 0.16 / 0.20 / 0.24
600	23.62	9.84-47.24	32.64	33.43	0.075 / 0.079 / 0.087 / 0.098 / 0.12 / 0.16 / 0.20 / 0.24
700	27.56	11.81-47.24	38.19	38.98	0.079 / 0.098 / 0.12 / 0.16 / 0.20 / 0.24
750	29.53	11.81-47.24	40.98	41.77	0.079 / 0.083 / 0.098 / 0.12 / 0.16 / 0.20 / 0.24
850	33.45	11.81-47.24	46.54	47.32	0.079 / 0.083 / 0.087 / 0.098 / 0.12 / 0.16 / 0.20 / 0.24
1000	39.37	13.78-47.24	54.88	55.67	0.079 / 0.098 / 0.11 / 0.12 / 0.16 / 0.20 / 0.24
1200	47.24	13.78-47.24	On request	66.81	0.079 / 0.1 / 0.106 / 0.11 / 0.12 / 0.16 / 0.20 / 0.24 / 0.34 / 0.39
1400	55.12	13.78-47.24	77.17	77.95	0.079 / 0.098 / 0.12 / 0.16 / 0.20 / 0.24
1500	59.06	13.78-47.24	82.76	83.54	0.079 / 0.098 / 0.12 / 0.16 / 0.20 / 0.24
1700	66.93	13.78-47.24	93.86	94.64	0.079 / 0.098 / 0.12 / 0.16 / 0.20 / 0.24
2000	78.74	13.78-47.24	110.06	111.34	0.079 / 0.098 / 0.12 / 0.16 / 0.17 / 0.19 / 0.20 / 0.24
2250	88.58	13.78-47.24	124.5	125.28	0.079 / 0.098 / 0.12 / 0.16 / 0.20 / 0.24
2400	94.49	13.78-47.24	132.8	133.60	0.079 / 0.1 / 0.106 / 0.11 / 0.12 / 0.16 / 0.20 / 0.22 / 0.24 / 0.34 / 0.39
2550	100.39	13.78-47.24	141.2	141.97	0.079 / 0.098 / 0.12 / 0.16 / 0.20 / 0.22 / 0.24
3000	118.11	13.78-47.24	166.3	167.05	0.079 / 0.098 / 0.12 / 0.16 / 0.20 / 0.24

* Maximum module width depends on plate orientation (vertical or horizontal), model and plate distance.

** 45° corner profile.

*** 90° corner profile.

CROSS FLOW HEAT EXCHANGER

MODEL H

Low Pressure Drop

Model H is Heatex' original cross flow plate heat exchanger with typical dry temperature efficiency up to 65% for a single pass and 85% for two-step arrangements.

Model H offers the widest set of options and configurations among our cross flow plate heat exchangers.

Model H's performance is certified according to AHRI.

Heatex cross flow plate heat exchangers meet several hygiene requirements.



TECHNICAL SPECIFICATIONS & OPTIONS

PLATE MATERIAL:

- Aluminium
- Epoxy coated aluminium

CORNER PROFILE:

- 90° Aluminium
- 45° Aluminium

END PLATE:

- Aluzinc (for plate size > 23.62")
- Aluminium (for plate size < 11.81")

SEALING:

- Silicone free (max. 190°F)
- Silicone (max. 390°F)
- High temperature silicone (max. 464°F)

MIN. ALLOWED TEMPERATURE:

- -40°F

MAX. LEAKAGE:

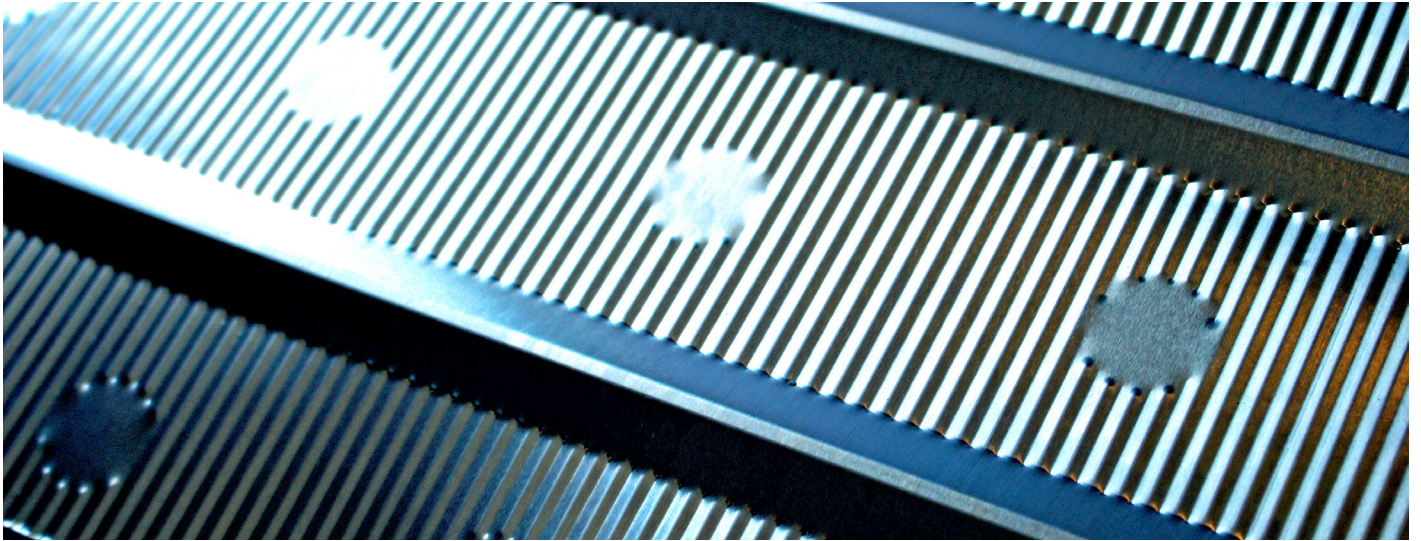
- 0.1% of nominal air flow for sizes > 16.73" at 1.6" WC
- 1% of nominal airflow for sizes < 16.73" at 1" WC
- 1% of nominal airflow for all models with silicone sealant

ADDITIONAL OPTIONS:

- Aquaseal tightness (max. 302°F)
- Laquered plate edges (max. 194°F)
- Corrosion protected framework (max. 194°F)
- Individual air tightness test + report
- Individual water tightness test + report
- ATEX testing (only available with aluminium plates)
- Heatex damper

MAX. ALLOWED DIFFERENTIAL PRESSURE:

- 7.23" WC for most sizes
- 2.81" WC for size 7.87" and 11.81"



MODEL H DIMENSIONS

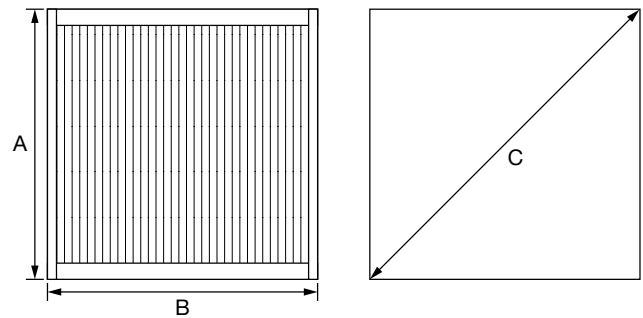
COMBINED MODULES SIZE:

- 7.87" - 118.1" (200 - 3000 mm)

PLATE SIZE:

- 7.87" - 200 mm
- 11.81" - 300 mm
- 16.34" - 415 mm
- 16.73" - 425 mm
- 23.62" - 600 mm
- 29.53" - 750 mm
- 31.50" - 800 mm
- 33.47" - 850 mm
- 39.37" - 1000 mm

NOTE: Customized A-dimensions can to some extent be created with special corner profile designs.



MODEL	A	B	C45*	C90**	PLATE DISTANCE
200	7.87	3.94-23.62	10.43	11.14	0.06 / 0.08 / 0.09 / 0.11
300	11.81	3.94-23.62	15.98	16.69	0.07 / 0.09 / 0.12 / 0.16 / 0.2
415	16.34	7.87-27.56	21.57	23.11	3.3 / 4.2 / 5.0 / 6.5
425	16.73	7.87-39.37	23.11	23.66	3.3 / 4.2 / 5.0 / 6.5
600	23.62	9.84-47.24	32.84	33.43	0.11 / 0.12 / 0.18 / 0.24 / 0.30 / 0.35 / 0.41 / 0.47
750	29.53	11.81-47.24	40.99	41.77	0.13 / 0.18 / 0.24 / 0.30 / 0.35 / 0.41 / 0.47
800	31.49	11.81-47.24	-	44.53	0.13 / 0.18 / 0.24 / 0.30 / 0.35 / 0.41 / 0.47
850	33.45	11.81-47.24	46.54	47.32	0.12 / 0.14 / 0.16 / 0.20 / 0.26 / 0.30 / 0.32 / 0.37
1000	39.37	13.78-47.24	54.88	55.67	0.13 / 0.15 / 0.20 / 0.24 / 0.30 / 0.35 / 0.41 / 0.47
1200	47.24	13.78-47.24	66.02	66.81	0.11 / 0.12 / 0.18 / 0.24 / 0.30 / 0.35 / 0.41 / 0.47
1500	59.06	13.78-47.24	82.76	83.54	0.13 / 0.18 / 0.24 / 0.30 / 0.35 / 0.41 / 0.47
1700	66.93	13.78-47.24	93.86	94.65	0.12 / 0.16 / 0.18 / 0.20 / 0.26 / 0.34 / 0.41 / 0.47
2000	78.74	13.78-47.24	110.6	111.34	0.13 / 0.15 / 0.20 / 0.24 / 0.30 / 0.35 / 0.41 / 0.47
2250	88.58	13.78-47.24	124.5	125.28	0.13 / 0.18 / 0.24 / 0.30 / 0.35 / 0.41 / 0.47 / 0.47
2550	100.39	13.78-47.24	141.2	141.97	0.12 / 0.16 / 0.18 / 0.20 / 0.26 / 0.34 / 0.41 / 0.47
3000	118.11	13.78-47.24	166.3	167.05	0.20 / 0.24 / 0.30 / 0.35 / 0.41 / 0.47

*45° corner profile.
**90° corner profile.

CROSS FLOW HEAT EXCHANGER

MODEL Z

Exceptional Durability

Model Z is designed to operate in corrosive environments and heavy duty applications. The entire unit is made of acid resistant stainless steel and a single pass exchanger can provide a sensible efficiency of 65 – 70%.

Based on the same well-proven plate design as Model H, Model Z's efficiency is similar to Model H but offers even higher differential pressure resistance due to its stainless steel plates. Model Z is our most durable cross-flow heat exchanger.

All Heatex cross flow plate heat exchangers meet several hygiene requirements.



TECHNICAL SPECIFICATIONS & OPTIONS

PLATE MATERIAL:

- Acid resistant stainless steel 1.4404 (ASTM 316)

CORNER PROFILE:

- Acid resistant stainless steel 1.4404 (ASTM 316)

ENDPLATE:

- Acid resistant stainless steel 1.4404 (ASTM 316)

SEALING:

- Silicone free (max 190°F)
- Silicone (max 394°F)
- High temperature silicone (max 464°F)

ADDITIONAL OPTIONS:

- Aquaseal tightness (max. 302°F)
- Laquered plate edges (max. 194°F)
- Individual air tightness test + report
- Individual water tightness test + report

MAX. LEAKAGE (IN %):

Tested at 400 Pa (1.6" WC) differential pressure.

- 0.1% of nominal airflow with non-silicone sealant (with AquaSeal) and 0.5% (without AquaSeal)
- 5% of nominal airflow with silicone sealant (without AquaSeal)

MAX. ALLOWED DIFFERENTIAL PRESSURE:

- < 16" WC

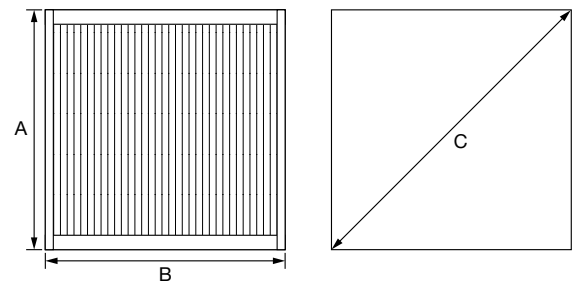
DIMENSIONS

COMBINED MODULES SIZE:

- 23.62" - 600 mm
- 47.24" - 1200 mm
- 70.87" - 1800 mm
- 94.49" - 2400 mm

PLATE SIZES:

- 23.62" - 600 mm



MODEL	A	B	C90*	PLATE DISTANCE
600	23.62	9.84 - 47.24	33.43	0.23 / 0.30 / 0.35
1200	47.24	13.78 - 47.24	66.81	0.23 / 0.30 / 0.35
1800	70.87	13.78 - 47.24	100.24	0.23 / 0.30 / 0.35
2400	94.49	13.78 - 47.24	133.66	0.23 / 0.30 / 0.35

*90° corner profile.



PLATE HEAT EXCHANGERS

END PLATES & CORNER PROFILES

END PLATES

An end plate is a part of the casing on a cross flow heat exchanger. There is one end plate on each side of the plate package. We call them A, C and E. "A" is a flat metal sheet, "C" is single folded (L- shaped) and type "E" has a double folded edge (U-shaped).

CORNER PROFILE

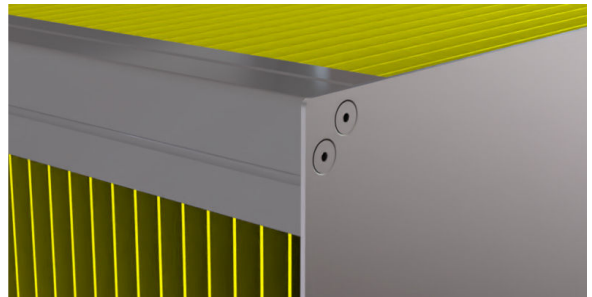
The profile is the corner piece, placed on the same sides as the inlets- and outlets- of the cross flow heat exchanger. Together with the end plates, the profile creates the frame around the heat transfer plates.

End Plate

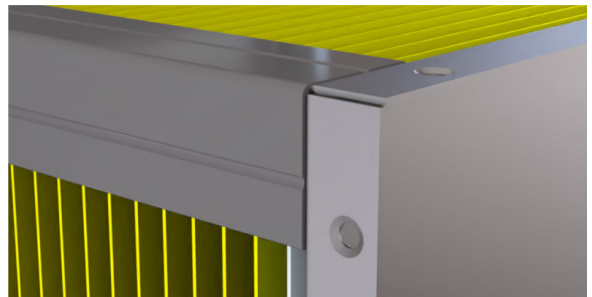
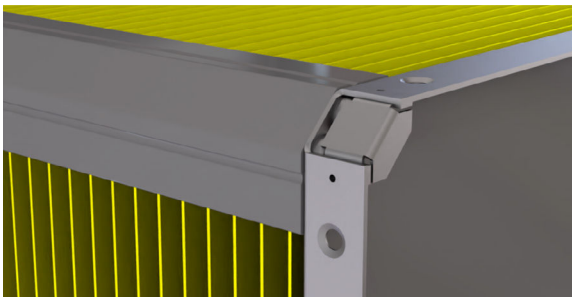
Corner Profile 45°

Corner Profile 90°

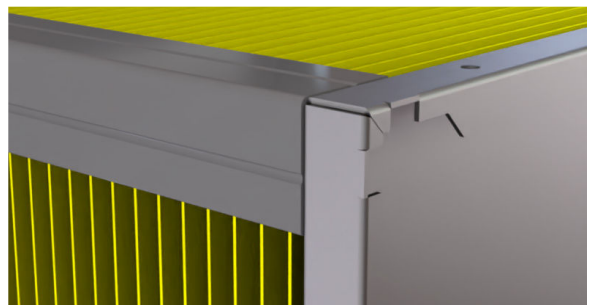
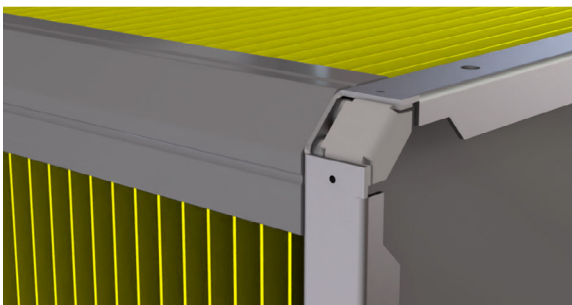
A



C



E



MORE CORNER PROFILE DESIGNS

Special applications might demand different profile designs, please contact us for technical support.

PLATE HEAT EXCHANGER

ADDITIONAL OPTIONS

AQUASEAL

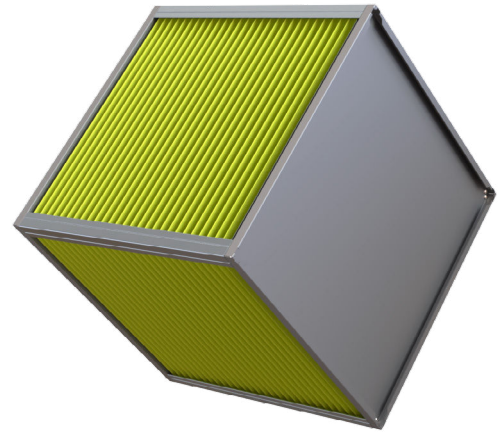
AquaSeal is a process used to fill all plate crevices with a special polymer. This will result in a highly tight heat exchanger, suitable for applications with high humidity or direct water exposure. As standard, for every heat exchanger applied with AquaSeal, a water tightness test is performed. AquaSeal only applies to exchangers with plate spacing > 0.16"(4 mm).

LAQUERED PLATE EDGES

Since cutting the epoxy plates removes the epoxy coating along the edges, a lacquer is applied to protect the edges from corrosion. This option can also be used to tighten the heat exchanger further.

CORROSION PROTECTED FRAMEWORK

Crossflow models are available with a metallic coating consisting of Zn, Al and Mg on a steel substrate. It has self-healing abilities which ensures edge protection. This coating fulfills corrosion protection class C5.



DAMPERS

Suitable for close/open bypass exchanger section in connection with a cross-flow plate heat exchanger. Tightness classification 2.

FRAME HEIGHT:

- 4.92"

BLADE WIDTH/ DIVISION:

- 3.94"

SQUARE SHAFT:

- 0.47" x 0.47"
- 1.97" in length

ROUND SHAFT:

- 0.47"
- 4.72" in length

MAXIMUM DAMPER WIDTH:

- 98.43" (incl. bypass)

MAXIMUM DAMPER-UNIT AREA:

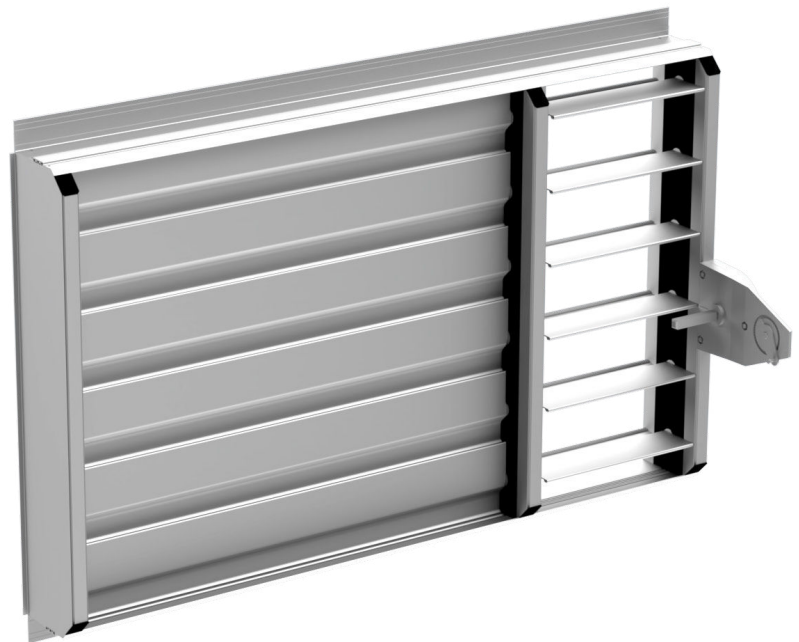
- 43.06 ft² (incl. bypass)

MAXIMUM BLADE LENGTH:

- 52.12"

MATERIAL:

- Profiles and damper blades in aluminium
- Driving wheels in PP plastic with fiberglass (suitable for temperatures between 5°F to 176°F)



COUNTER FLOW HEAT EXCHANGER

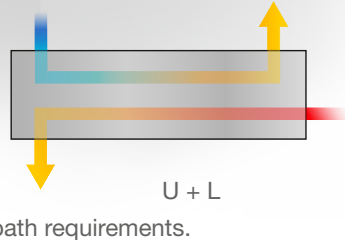
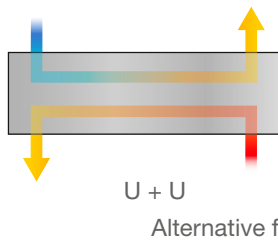
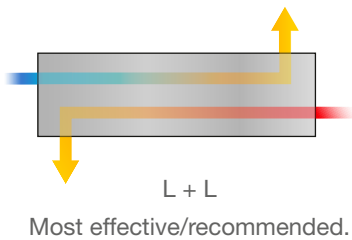
MODEL M

Slim & Flexible

Model M is a slim, high-efficiency counterflow plate heat exchanger, specially designed for the demanding requirements of the telecommunications and solar industry. Even in a dry situation, it can come close to 90% (sensible) efficiency.

Especially for Model M, Heatex offers custom integration solutions for easy installation and faster end product delivery.

Model M is built according to customers' request with either double L-flow, double U-flow or L+U-flow configuration.



TECHNICAL SPECIFICATIONS

PLATE MATERIAL:

- Aluminium
- Epoxy coated aluminium

CASING MATERIAL:

- Aluzinc

MAX. ALLOWED TEMPERATURE AND SEALING:

- Silicone free (max 190°F)

MAX. LEAKAGE:

- 0.1% of nominal air flow at 1.6" WC

MAX. ALLOWED DIFFERENTIAL PRESSURE:

- 2.81" WC

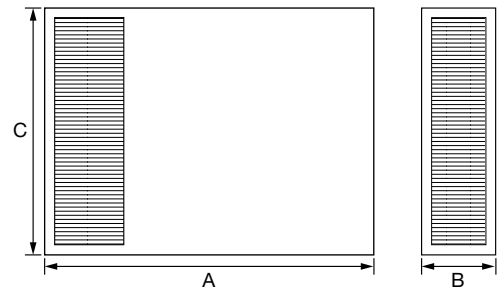
DIMENSIONS

WIDTH/ LENGTH:

- 3.94" - 23.62" (100 - 600 mm)

PLATE SIZE:

- 3.74" - 95 mm
- 5.51" - 140 mm
- 7.48" - 190 mm
- 9.28" - 235 mm



MODEL	A*	B	C	PLATE DISTANCE
200 - 500 x 95	7.87 - 19.69	3.74	3.94 - 23.62	0.12 / 0.18 / 0.27
300 - 600 x 140	11.81 - 23.62	5.51	3.94 - 23.62	0.12 / 0.18 / 0.27
400 - 1000 x 190	15.75 - 39.37	7.48	3.94 - 23.62	0.12 / 0.18 / 0.27 / 0.30
500 - 1000 x 235	19.69 - 39.37	9.25	3.94 - 27.56	0.12 / 0.18 / 0.27 / 0.30

*Available in 3.94" (100 mm) increments. For further options please contact us!



ROTARY HEAT EXCHANGERS

All Heatex rotary heat exchangers share the same high-efficiency matrix and a wide variety of wheel-heights to suit various performance requirements. All units are produced at our global production facilities with our proprietary production equipment according to the same standardized processes, ensuring uniform product quality and favorable lead times worldwide.

ADVANTAGES

- **HIGH EFFICIENCY**
Heatex rotary exchangers provide high sensible and latent efficiencies.
- **LOW FREEZING RISK**
Rotary heat exchangers offer a very low freezing risk as the wheels by definition defrost themselves.
- **MINIMAL CROSS CONTAMINATION**
Models with casing are fitted with seals for excellent air tightness and can be equipped with purge sectors to minimize the cross-contamination of exhaust air into the supply air.
- **HUMIDITY TRANSFER**
There are several possibilities to add various coatings to the wheel, to enable latent transfer or provide increased corrosion protection.
- **WIDE RANGE OF OPTIONS**
We offer an extensive range of options regarding sizes, material, and drives to suit various application and performance requirements.
- **FULLY CUSTOMISED**
All of our products are carefully designed to meet the demands for each specific application application and minimize the investment relative to the energy recovery need.

ROTARY HEAT EXCHANGER

MODEL E & O

Compact Casing

Model E is a high-performing and lightweight rotary heat exchanger designed for air handling units, primarily for comfort ventilation applications. Typical temperature efficiencies are up to 90%.

Model E offers one of the most compact galvanized steel casings available on the market. This gives an exceptional efficiency compared to conventional rotary exchangers with the same casing dimensions.

Model E's performance is certified according to AHRI.

Only the wheel, without casing, is called Model O.



TECHNICAL SPECIFICATIONS & OPTIONS

MATRIX MATERIAL:

- Aluminum (Condensation)
- 3 A Molecular sieve (Adsorption)

EXCHANGER ORIENTATION:

- Vertical
- Horizontal

HUB:

- Ball bearing with shaft

CASING TYPE:

- Standard
- Covered

SEAL:

- Brush seal

AIRFLOW CAPACITY:

- 125 - 30 000 CFM

MAX. ALLOWED PRESSURE DROP:

- 1.2" WC for $< \varnothing 63$ "
- 1.0" WC for $> \varnothing 63$ "

DRIVE EQUIPMENT:

Inverter ready constant speed drives

- 115V / 1Ph / 60Hz
- 208V / 3Ph / 60Hz
- 230V / 3 Ph / 60Hz
- 460V / 3Ph / 60 Hz
- 575V / 3Ph / 60 hz

DRIVE BELT:

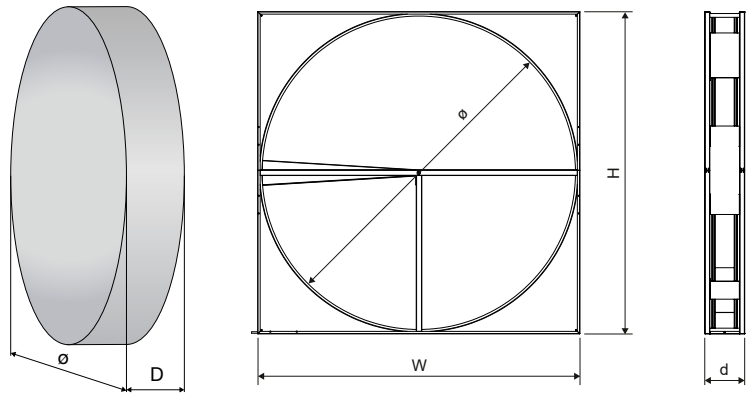
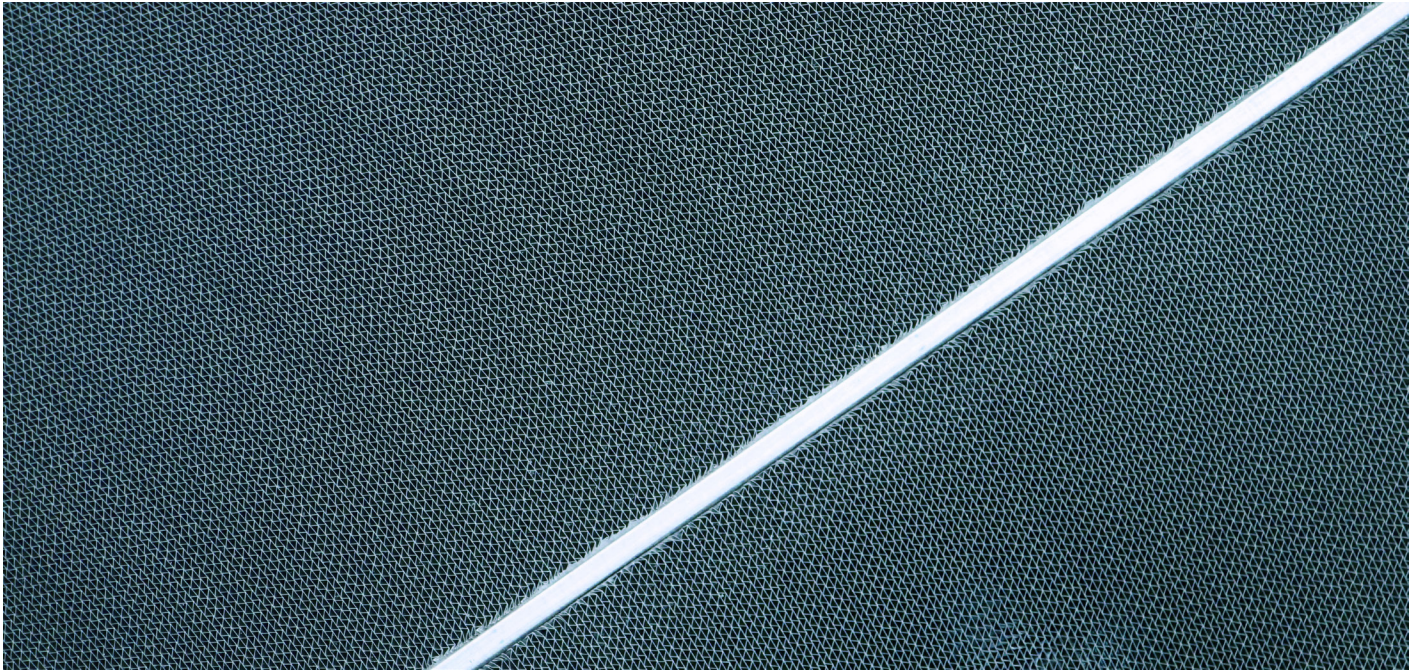
- Power belt

ADDITIONAL OPTIONS:

- Inspection hatches

RECOMMENDED VALUES FOR ALL ROTARY HEX:

- Maximum differential pressure up to 2.40" WC
- Recommended pressure drop between 0.40" - 0.80" WC
- Air temperature limits between min. -40°F and max 149°F



MODEL E & O DIMENSIONS

WHEEL		CASING		MATRIX
DIA (Ø)	DEPTH (D)	FRONT (WxH)	DEPTH (d)	WELL HEIGHT*
32	7.87	34 x 34	10.87	0.071 / 0.079
38	7.87	40 x 40	10.87	0.071 / 0.079
42	7.87	44 x 44	10.87	0.071 / 0.079
48	7.87	50 x 50	12.44	0.071 / 0.079
54	7.87	56 X 56	12.44	0.071 / 0.079
60	7.87	62 x 62	12.44	0.071 / 0.079
66	7.87	68 x 68	12.44	0.071 / 0.079
70	7.87	70 x 70	12.44	0.071 / 0.079
76	7.87	78 x 78	12.44	0.071 / 0.079
83	7.87	85 x 85	12.44	0.071 / 0.079
89	7.87	91 x 91	12.44	0.071 / 0.079
94	7.87	96 x 96	12.44	0.071 / 0.079

* The exact well height depends on the thickness of the material selected. See technical manual for exact dimensions.

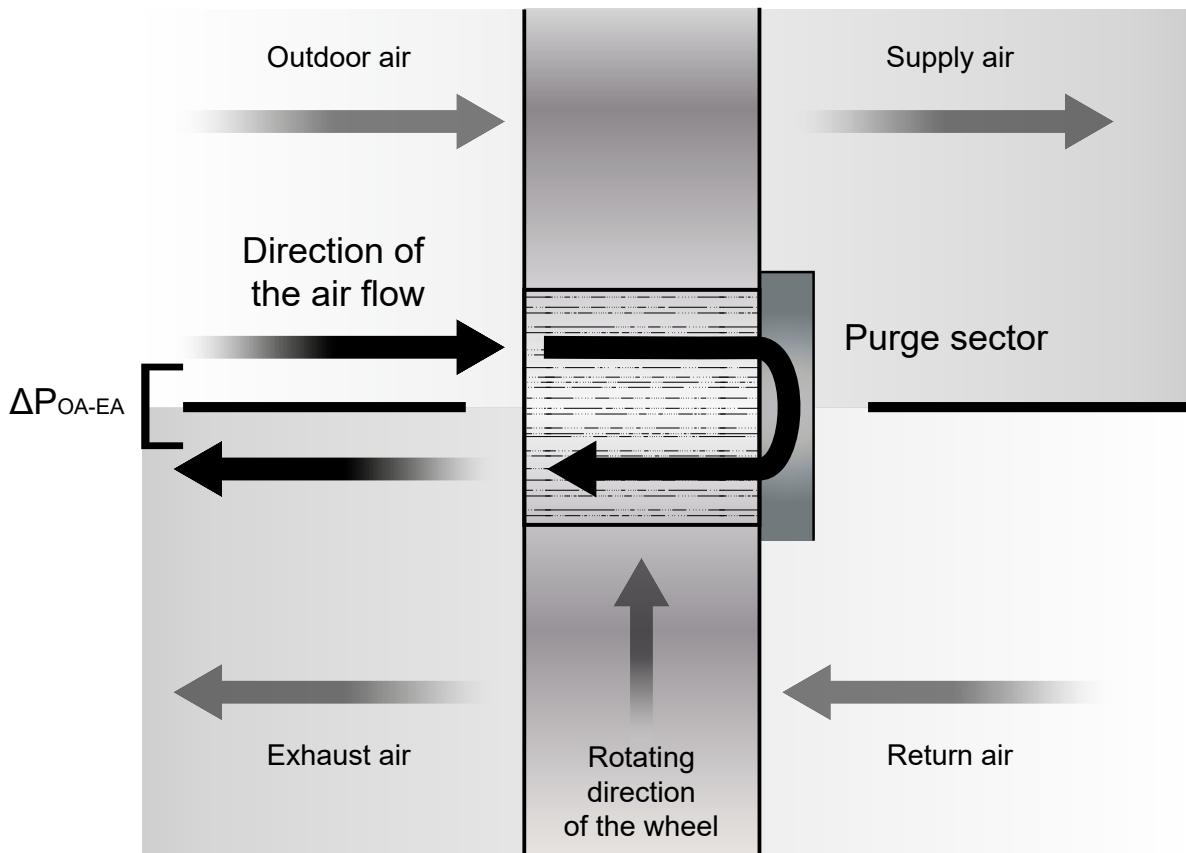
ADDITIONAL OPTIONS

PURGE SECTOR

Models with casing can be equipped with a purge sector to minimize the cross-contamination of exhaust air into the supply air.

The purge sector is optimized to reduce carryover or EATR. It will stop the inlet of exhaust air in the small area right before the airflows switch, thus avoiding exhaust air from getting trapped into the matrix.

A small amount of the supply air is used to blow out the minor amount of exhaust air that might have been trapped to ensure a fresh and clean air supply.





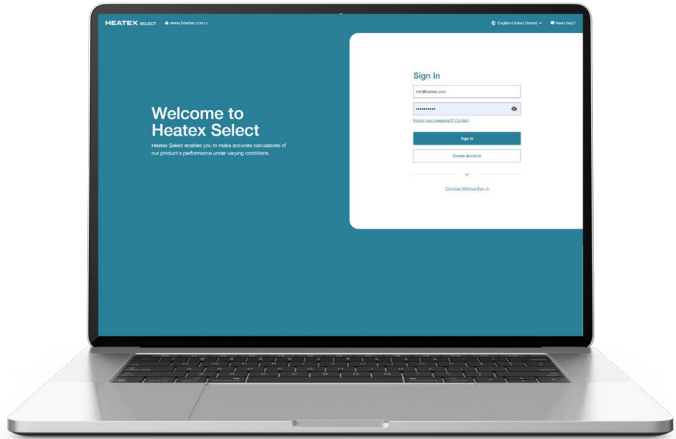
HEAT EXCHANGER CALCULATION

PRODUCT SELECTION

Heatex Select, our calculation software, enables accurate calculations of our product performance under different conditions and the energy-saving potential in various geographical zones.

Heatex Select is always available online for free at heatex.com.

All heat transfer and pressure drop calculations are done with the actual heat exchanger geometry and based on correlation from scientifically well-renowned sources such as the "International Hand Book of Heat Exchanger Design".



HEATEX SELECT

SAVING ENERGY & RESOURCES

RETURN ON INVESTMENT



A heat exchanger is almost always a beneficial investment – regardless of whether the exchanger is a rotary or a plate heat exchanger.

By recovering heat, energy consumption is reduced. Saved energy cut costs and the consumption of coal, natural gas, and other fossil fuels, which eventually leads to carbon dioxide reduction.

All our models save sufficient energy to provide short amortization periods and valuable savings.

In Heatex Select Online, you find a return on investment calculator that approximately indicates the payback amount and time as well as energy saved by installing a Heatex air-to-air heat exchanger.



MANUFACTURING & LOGISTICS

PRODUCTION & ENVIRONMENT

Strategically located production facilities enable us to respond to regional product variations and demand as quickly as possible while assuring stable supply lines and highly trained staff.

Heatex' Lean Manufacturing certified personnel constantly manage towards perfection to reduce the number of steps, time, and information needed to serve our customers. By assuring efficient processes and reliable suppliers, we constantly aim to optimize production, reduce scrap and secure stable lead times, resulting in high-quality products with a competitive price and a minimal carbon footprint.



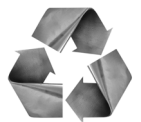
HEALTH AND SAFETY



Every Heatex production plant meets and goes beyond all relevant legislative requirements set out by the national government in each country to make sure its personnel is safe and sound.

In case of any accidents, the incident is registered, investigated, and analyzed. Preventive measures are put in place to eliminate any further issues.

ENVIRONMENTAL FOCUS



We are fully committed to developing our products, manufacturing processes, and procurement to reduce our carbon footprint and any harmful environmental impacts.

Together with EcoVadis, the world's most trusted provider of business sustainability ratings, we continuously work on improving our score. Both our products and our business practices are aimed at a sustainable future.



HEATEX

WHY HEATEX?

QUALITY PRODUCTS & TECHNICAL EXPERTISE

Our products are field-tested and designed to comply with all relevant building codes and regulations. We frequently send our products to independent labs worldwide for inspection and regularly evaluate product performance in our in-house testrig. Our skilled and experienced application engineers support you during the entire development process.

REPUTATION & CERTIFICATIONS

We have a well-established reputation for being honest and reliable and hold several certifications for product and operation quality worldwide, including AHRI. Our products are proven to have high efficiency and a fast ROI. All Heatex products are custom-made and designed to match each customer's technical specifications.

Visit heatex.com for more information.



HEATEX

The Air-To-Air Heat Transfer Specialist